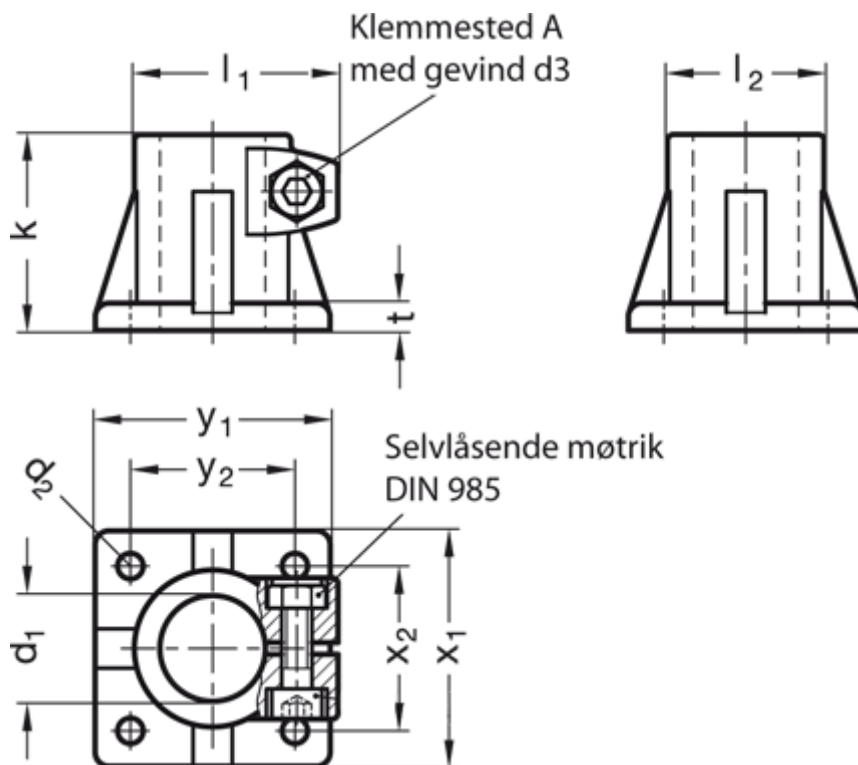


Article number: 20163B20502SW

Description: E+G

Base plate clamp GN163-B20-50-2-SW

Measures



Adjustable clamp lever = GN 911-M8-32 have to be ordered separately

d_1	= B20
d_2	= 6.5
d_3	= M 8
k	= 50
l_1	= 52.0
l_2	= 40
t	= 7

x_1	= 60
x_2	= 42
y_1	= 60
y_2	= 42